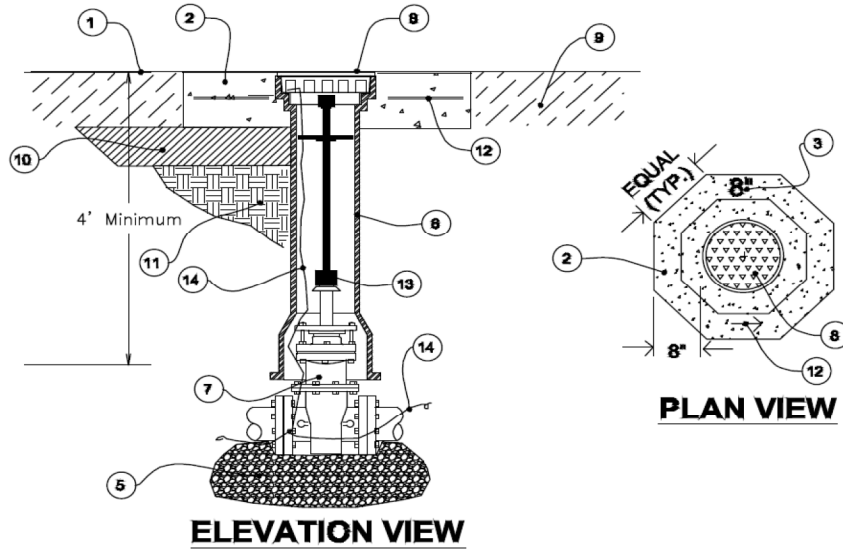


# EXHIBIT B

## Utility Details



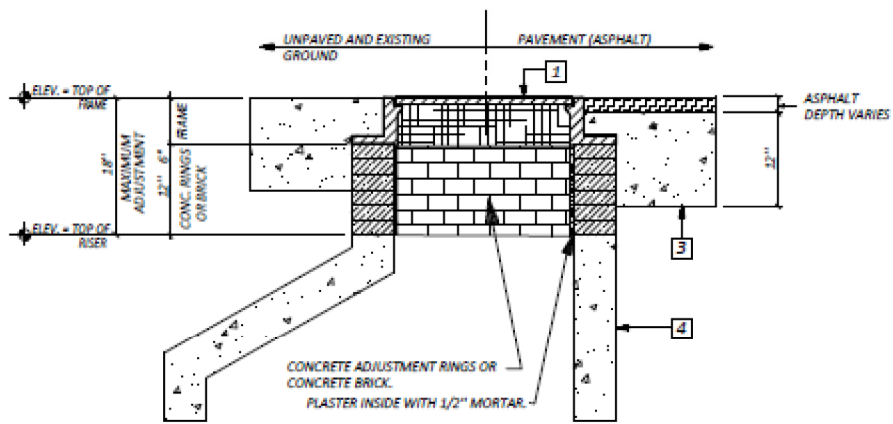
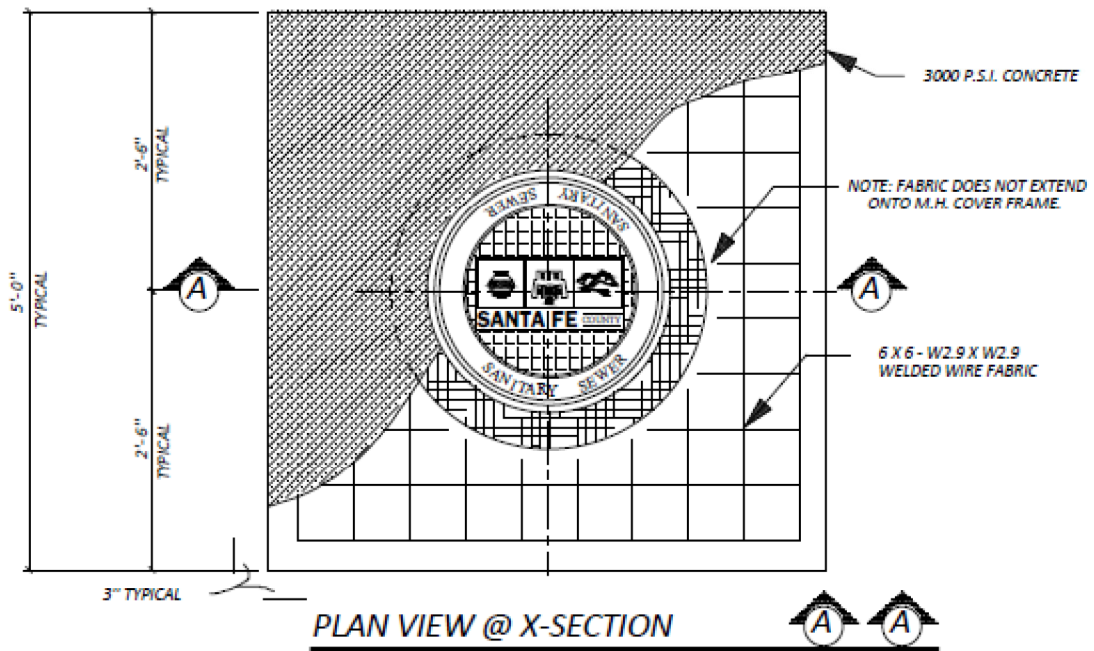
#	DESCRIPTION	#	DESCRIPTION
1	FINISH STREET GRADE	8	VALVE BOX LID
2	8" MIN DEPTH - 3000 PSI CONCRETE PAD	9	PAVEMENT
3	STAMPED LINE SIZE (2 SIZES IF REDUCING)	10	SUBGRADE
4	STAMPED ARROW INDICATING ISOLATION DIRECTION(?)	11	COMPACTED BACKFILL
5	98% COMPACTED BACK FILL 12" MINIMUM DEPTH	12	#4 REBAR
6	5-1/4 SCREWTYPE ADJUSTABLE VALVE BOX	13	EXTENSION BAR IF NECESSARY
7	GATE VALVE	14	#12 TRACING WIRE



**SANTA FE COUNTY UTILITIES**  
STANDARD DETAILS

**VALVE & VALVE BOX  
INSTALLATION**

DATE:  
07/2010



PROFILE VIEW

**MANHOLE ADJUSTMENT DETAIL/DWG. # SAS-5**

NOT TO SCALE

# EXHIBIT D Typical Section

